

Applicable Model

R20K

Drawing Title

Intercom Panel

Drawing Unit

mm

Drawing Scale

Not to scale

DRAFT
SUBJECT TO
CHANGE

Last Revised

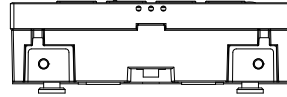
Oct 09,2023

Drawing Version

V1.0

Page

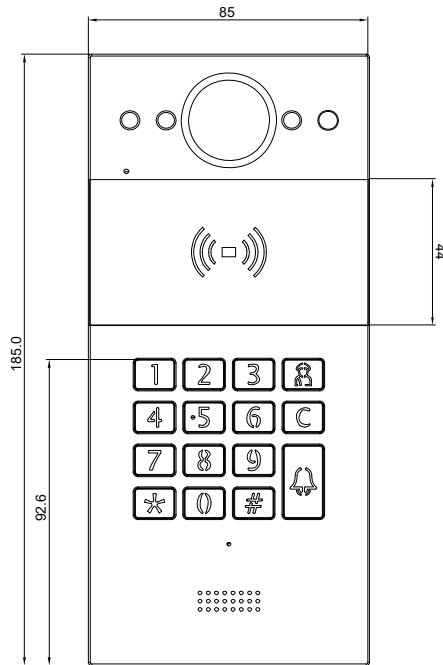
1 of 3



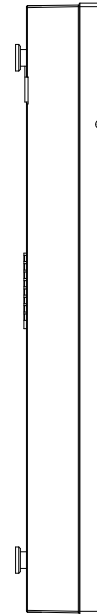
⑤ TOP VIEW



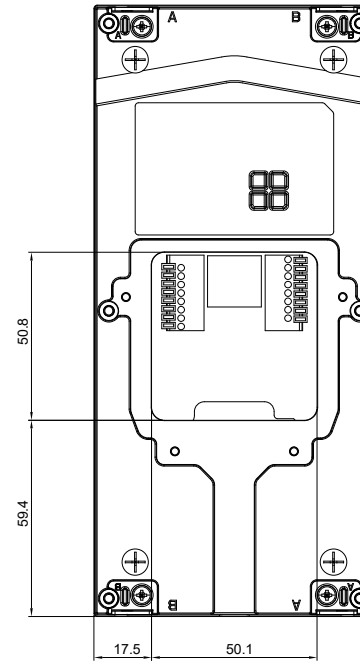
② RIGHT VIEW



① FRONT VIEW



③ LEFT VIEW



④ BACK VIEW



⑥ BOTTOM VIEW

Applicable Model

R20K

Drawing Title

Wall Mounting Bracket

Drawing Unit

mm

Drawing Scale

Not to scale

DRAFT
SUBJECT TO
CHANGE

Last Revised

Oct 09,2023

Drawing Version

V1.0

Page

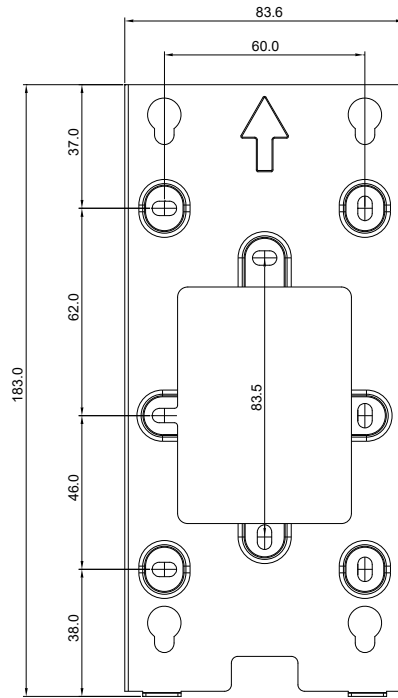
2 of 3



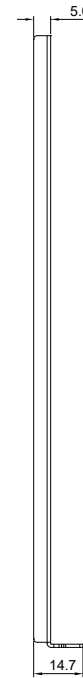
⑤ TOP VIEW



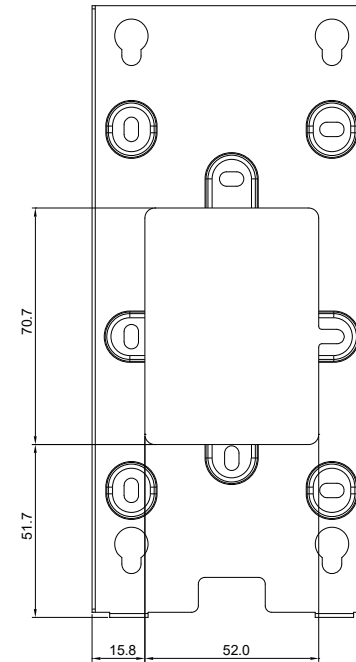
② RIGHT VIEW



① FRONT VIEW



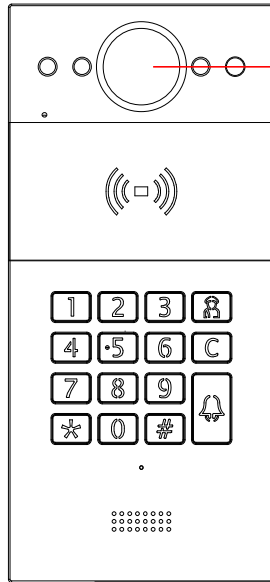
③ LEFT VIEW



④ BACK VIEW



⑥ BOTTOM VIEW

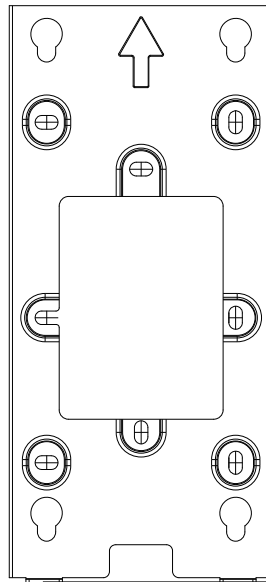
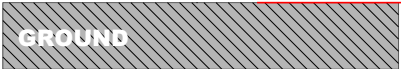


① INTERCOM PANEL FRONT VIEW

1235mm TO BOTTOM OF PANEL

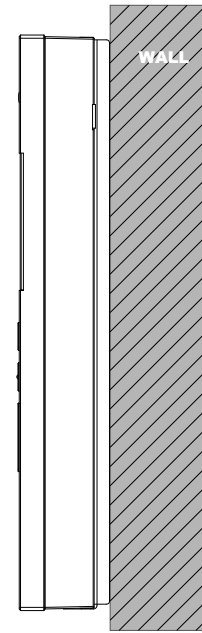
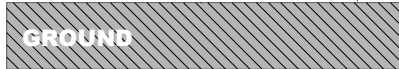
1400mm TO CENTER OF CAMERA

ADA Compliance Requirement



② FRONT VIEW:WALL MOUNTING BRACKET PLACEMENT

1235mm TO BOTTOM OF BRACKET



③ SIDE VIEW:INTERCOM PANEL ON WALL

Applicable Model

R20K

Drawing Title

Placement

Drawing Unit

mm

Drawing Scale

Not to scale

DRAFT
SUBJECT TO
CHANGE

Last Revised

Oct 09,2023

Drawing Version

V1.0

Page

3 of 3